



THE FLATWHEEL



VOL 48 NBR 03 MARCH 2013

Official newsletter of Division Four, Mid Central Region of the National Model Railroad Association.

Art Bumpus, Division 4 Superintendent On Q

Our next meeting is March 8th. The main event for this meeting is the auction. Be sure to bring your goodies of no more use to you, but may be the exact item one of our other members is trying to find. Use the forms that Rich Tressa has provided (on page 10) to prepare your items for sale. Or, come early and complete your auction forms prior to the meeting. Even if you don't have anything for sale, just bring some cash for the possibility of finding a gem. The auction itself is lively with auctioneers Gary Sole and Frank Bongiovanni making a tag team match to bring us some comedy and innovative ways to auction items. And the Division receives 10% of all the proceeds. (The 10% is paid by the seller.)

At the end of January, I took a trip up to the Springfield, Mass. annual train show. This show attracts about 20,000 people each year. The vendor list is eight pages long. The show occupies four buildings. I was unable to see all the vendors in one building on Saturday. For the two day show, I was unable to see all the vendors in attendance. The show attracts many manufacturers, craftsman kit dealers, brass resellers and plenty of the traditional fare of dealers you ordinarily see at local train shows. Clinics abound, and they even have a live band to entertain you. There were many Division 4 members at the show. I met Larry Madson, Tim and Lee Sheffield, Steve Kaplan, Tom Atherton, and Ken Orchard. There were probably even more Division 4 members who I did not see. If you ever want to see, arguably, the largest train show in the country, make the trip. If you can't find what you are looking for, it probably isn't made. I met some really interesting modelers from the east coast and had several informative conversations.

Scenes on your model railroad. This is a perfect way to make your railroad seem larger. By taking a few square inches of your railroad to make a mini-scene, it stops the viewer's eye to check out the scene. The secret is to make the scene tell a story. The viewer stops to study the scene before his eye moves on to another portion of the railroad. The more times you get the viewer to stop and interpret the story, the larger the railroad seems. As an example, I have a modeled city with a small park. There are several park benches, and sitting on one of them is a girl. She is holding a bag of popcorn and is dropping some of the popcorn on the sidewalk. There are a group of pigeons, hungrily eating the popcorn. The viewer spends a few minutes just on this one small scene.

A perfect opportunity to try to build this type of scene, presented itself when David Lawler had the contest with a scene on a peanut butter lid. It created a challenge to the modeler, without having to build a lot of scenery. The modeler had to create a point of interest in just a few square inches. And he didn't even need to have a whole model railroad to participate in the contest. Hopefully, David will re-visit this type of contest again in the future.

Until next month, remember, never trade steam for water.

Refreshment Chair Open

With David James as our new Secretary, we have a vacancy in the ever important area of refreshments. The ideal candidate will use the donations to replenish refreshments and make them available during the general meetings. See any officer if you are willing and able to step into this critical role.

General Meeting Minutes

GENERAL MEETING MINUTES - DIVISION 4 NMRA

The February 8, 2013, general meeting of Division 4 was called to order by President Art Bumpus at 7:30 P.M. in Westlake, Ohio. Approximately 60 members were in attendance.

Art turned the meeting over to Mike Mereness who gave a Powerpoint presentation on the May Regional Convention in Dayton. Art encouraged members to attend.

Treasurer's report - Assets are at \$39,344.03. Reports are available upon request.

Membership - Joe Mehalic introduced transfer member Darrall Swift and his spouse, Monica and new member, Gary Shefner. Tom Beutler announced that a new roster will be delivered shortly via email or snail mail.

Bruce Brintnall presented a Master Builder Award to John Reynolds for scenery and a Golden Spike Award to John Puch.

Larry Madson for Scott Benson reported that the Module Group will be attending fewer events in 2013, with the next event scheduled for March 23 at the Roundhouse. WiFi is now available for using your smart phone as a throttle on the modules. Modular kits are available from Larry and vary in price from \$100-\$135.

John Hemsath for Dave Lawler - Contest winners for head-end cars in January were announced. There will be no contest in March due to the auction.

Dave Williams - Flatwheel March deadline is Thursday, February 21.

Layout tours - John Hemsath requested volunteers from the east side to offer open house tours in May.

Carnival - Darren Ernst questioned the five grants awarded to modular groups given for the Carnival. Art explained that these are one-time grants. Mike Oster distributed flyers and reported that the contract with the fair board will be typed and signed.

Auction - Frank Bongiovanni asked members to print and complete paperwork for items to sell at the March auction. Rich Tressa added that bids should be in whole dollar amounts and reminded members to bring cash.

John Reynolds requested donations of rail cars to support the Cleveland Rape Crisis Center. Contact person is Annette Kent @ 216-225-8090. (editor's note: Annette requests that donors bring their cars to the March meeting).

Meeting adjourned at 8:14 followed by a raffle and pizza.

Jim Moore, Recorder

Membership by Tom Beutler, Membership co-chair

March 2013 Birthdays:

MICHAEL BAHNTGE
JAMES FOLEY
BRYAN HARKO
DAVID C JOHNSON
HARRY LEVER
LAWRENCE P MADSON
ERIC G NEWBERRY
RALPH PESHEK
PAUL R (BUD) SPIERLING
DONALD STETTIN
RICHARD E ULMER
ED DILLON
LOUIS R FALK

New Members:

None

Re-Rail Members:

JAMES R. WENTER



John Reynolds (l) received his Achievement Certificate for Master Builder Scenery from Bruce Brintnall MMR, Achievement Chairman.



John Puch(l) received his Golden Spike Award from Bruce Brintnall MMR, Achievement Chairman.



PEACHTREE EXPRESS
NMRA NATIONAL CONVENTION
nmra2013.org

NMRA National Convention
Atlanta Georgia

July 14-20. 2013

BOD Meeting

April 30, 2013.

Meetings start at 7 pm and are held at the church on the NW corner of routes 42 and 82 in Strongsville.



MODEL RAILROAD SPRING FLEA MARKET & SWAP MEET

Sponsored by Cincinnati Division 7 NMRA
www.cincy-div7.org

Saturday, MARCH 9, 2013
10 AM to 3 PM

LAKOTA WEST FRESHMAN CAMPUS

5050 TYLERSVILLE ROAD
WEST CHESTER, OH. 45069

FEATURING LOCAL MEMBERS & HOBBY DEALERS

\$4.00 ADMISSION

\$3.00 YOUTH (11-15 years of age)

Under 10 years of age FREE

TABLES \$17 (each 30 inches x 8 ft)

Table Reservations: rhord@fuse.net

All SCALES of Model Railroad Equipment
plus Videos, Memorabilia and More

Don't miss this Model Train buy-sell-swap event !

2013 Pittsburgh Model Railroad Jamboree

Sunday April 27, 2013

Sewall Center Robert Morris University

Moon Campus

early registration \$22.00

see www.keystonedivision.org

for more details

Railroad Prototype
Modeler meet near
Pittsburgh, PA

Registration forms, hotel information and more can be found
at the RPM-East website:

http://www.hansmanns.org/rpm_east/index.htm

[March 22/23, 2013](#)

Mid Central Regional Convention
May 15-18, 2013
Dayton Ohio

www.mcr2013convention.com



**Operations
Dayton
2013**



Estate Sale

Tony Catlano and Todd Livengood of the Norwak and Western Railroad Club are having a sale of the personal collection of the late Paul Eryn the former owner of Paul's Hobbies in Norwalk, Ohio and Division 4 member.

Large quantity of HO locomotives, rolling stock and passenger equipment. Pennsylvania RR, Reading, Leigh Valley and other roads. Hard to find old trains and train parts. Cary, Penn Line, Rivarossi, Front Range and much, much more.

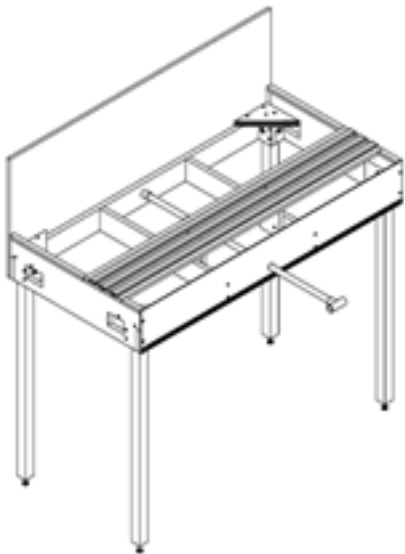
Sale items may be seen in Norwalk or by appointment.

Call: Tony 419 706 8038 or Todd 419 706 9664

(forwarded to the Flatwheel by Mike Oster)

Division Module Kit Costs

By Scott Benson, Module Group Coordinator



So you're thinking about building a module and wondering about the cost and what's involved? This article will help you out!

First and foremost, all modules are the property of the owner, and that owner is responsible for all costs: framework, wiring, trackwork, finishing, scenery and trains! This works are well from both perspectives. The division doesn't end up subsidizing the modules, and the owner takes firsthand responsibility for the care and upkeep of the module. The division only funds a small portion of the modular layout costs, the DCC system and other hardware that supports the overall layout.

So what is the cost of an individual module? The modular group (actually Larry Madson) supplies module kits that consist of completely pre-cut wood, all hardware and all basic control/electrical components (except track wiring). The standard 2' by 4' module kit, with a strip of sub-roadbed, costs \$100. A variation with a complete flat-top is \$110. Adding a DCC cab bus panel adds \$25 to the kit. This is highly recommended, as it provides control points for the many module operators with tethered cabs. These module kits come with fully detailed assembly instructions and can be put together in less than a half day.

If you are handy with woodworking, you may want to make your own framework. The module specs provide the standard design details. You can purchase sub-kits from the module group to complete your module. A complete hardware kit (basic wiring, screws, nuts, bolts and miscellaneous parts) will cost \$72. If you have a lot of hardware around the garage, the basic wiring kit with pre-assembled harness is \$28. As usual, prices are subject to change.

What's the next step? Put in an order with Scott Benson or Larry Madson. For future reference, the module kit pricing is always posted on the module page of the division website.

RAFFLE REPORT

Thanks to all who participated and supported the February Raffle. Due to the auction in March, there will be no raffle. Stay tuned for the April raffle, it will be a good one..

The Raffle Dudes

The Clinic Corner

March 2013 Program No Clinic This Month – Auction!!

Information about the bi-annual auction is elsewhere in this issue of the Flatwheel

April 2013 Program “Oddities & a Brief History” Presented by Joe Kurilec MMR

Joe has prepared a DVD with railroad oddities he will present at the April meeting.

Clinics Wanted

Any Division member with an idea for a program subject or wishing to present a program for the 2013 – 2014 season, please contact me.

Clinic Presentation Aids

Division 4 has a digital projector available for use by division members for presenting clinic programs in digital format. We now also have a carousel slide projector with carousels. The division also has a video camera available for program enhancement. Anyone wishing to use the camera or the projectors for their program, contact Larry Madson.

phone: 440-934-2643 or email lmadson@roadrunner.com.

Larry Madson



Mike Mereness of Divison 3 gave a presentation in February on this year's Regional Convention in Dayton.

Calendar of Upcoming Events

March	9	Dayton Show
March	16/17	Railfest
March	22/23	RPM East, and RPM West
April	19	Jim Six School
April	26/27	RPM Central
April	27	Pittsburgh Jamboree
April	30	BOD
May	5	Layout Tours
May	11	Layout Tours
May	15-18	Regional Convention, Dayton
July	14-20	National Convention, Atlanta
Oct	4-6	Carnival work days
Nov	9	Training Day

(Not all events are included)

Sources from Joe Kurilec MMR

I have one package of Precision Scale O scale leaf springs for freight trucks. Un opened, new, yours free. Send me a email: jkurilec@earthlink.net or call 440-243-2337 with your mailing address. I will put them in the mail (no cost to you-GREAT deal!)

I feel we should ALWAYS purchase from OUR local hobby dealers first! Some scratch building supplies are hard to come by. I first check the Walther's website to see if items are in stock, if so, my order is placed at my local dealer. (note that dealers will also check to see if the item(s) can be ordered)

<http://www.walthers.com/exec/manulist>

I have found that a search of manufacturer's sites "almost always" have the products I need! Below are several sites that have many items that are "out of stock-delivery unknown (in the Walther's catalog).

<http://www.yeoldehuffnpuff.com/Building.HTM>

<http://www.portlandcarandfoundry.com/index.php>

The above link was nice to send me my items with an invoice! In this day and age...un heard off! Great email communications!

<http://grandtline.com/>

They are super helpful. Great email communications!

<http://www.precisionscaleco.com/> Great customer service. Return phone calls, if there is a problem!

<http://www.cabooseshobbies.com/>

I found the link below to have a pretty good selection of Cal Scale casting. Great email communications!

http://www.brshobbies.com/catalog.php/BRSHobbies/dt94181/Cal_Scale_Detail_Parts

I also have found several firms in our local area that can provide many tools that we use for modeling.

MARC's: The tool selection (in the close out area of each store) is interesting and varies from store to store. I have found many "smaller" tools that can be used for model railroading and they prices are VERY good!

Home Depot & Lowes: Air compressors. Prices start around \$80.00. They come with moisture traps and pressure gauges!

Pat Catans & Michael's Arts & Crafts Store: Brushes, paint, paint mixing items, cardstock, model tools, wood supplies, glues and if you look around, a ton of other items for our hobby are there!

I feel a real "un-tapped" source of tools are some local tool companies below. All have GREAT customer service and go out of the way to help you!

Most seem to have the General tool line products, and many items that can be used on the model workbench.

Cleveland Tool & Cutter
14181 Foltz Parkway
Strongsville, OH 44149
440.238.5770

[continued on next page]

Sources continued

Harbor Freight Tools

Production Tool Supply (they have a FREE tool catalog that is very large-FREE!)
10801 Brookpark Rd (across from Home Depot)
Cleveland,OH 44130
800.362.0142

Ornamental Products Tool & Supply Inc. (The person that helped me was a Lionel train modeler!)
5105 Pearl Rd.
Cleveland,OH 44129
216.749.5050

Macho Tool & Supply
5611 Clark Ave. (near Train Ave. on Clark)
Cleveland, OH 44102
216.651.5170
Also a Brunswick, OH location
1678 West 130th St.
Brunswick,OH 44212
330.220.3826

Medina 4H Meetings

Here are the 2013 Meeting Dates:

January	27
February	24
March	24
April	28
May	19
June	23
July	21
July 27	- Fair judging
August 4	- Fair Takedown
September	22
October	27

The group is looking for Division 4 members for the April, May and June meetings to do some demonstrations – possibly an engine/car clinic in June? Also, please recycle your old couplers and wheelsets – what you replaced on your cars is often still better than what some of the kids are trying to work with. The upcoming Saturday meetings start at 10 am. Locations vary within the Medina area and will be provided to you by Jerry Krueger jakrueg@neo.rr.com.

Rape Crisis Project

John and Annette Reynolds are requesting donations of train cars for use in clinic therapy. Please bring your cars for donation to the next meeting for this worthwhile project, and thanks to the people who have already donated. Thank you.



Art Bumpus and Steve Kaplan helped celebrate Member Appreciation Night at the February meeting.

Read the Flatwheel online at www.div4.org

Yahoo - The Division has a Yahoo group available for members. Send your request to join to dave_wms@sbcglobal.net. It's best to include "Division 4" in the subject line and include your name.

Members of the Yahoo Group receive an email when the Flatwheel PDF has been posted onto the website. The group is private and does not appear on the Yahoo directory.

We also have an email list to notify you when the Flatwheel is placed on the website. You are no longer required to join the Yahoo Group for this service.

Uncredited photos: D Williams.

The Flatwheel is published monthly (except during July and August) by Division Four of the Mid-Central Region (MCR) of the National Model Railroad Association (NMRA). The Flatwheel can be mailed to all Division Four members free of charge, however we request that all members with Internet access decline receiving a mailed copy. Subscriptions are available to others for \$12.00 annually. All comments are welcome, however, those views expressed in the Flatwheel do not necessarily reflect the opinion of the NMRA, MCR, or Division Four.

Deadline for the April Flatwheel is Thursday March 28, 2013.

DIVISION FOUR OFFICERS

Elected

Superintendent
Art Bumpus (440) 526-9184 abumpus@cox.net

Assistant Superintendent
Jim Moore h (419) 684-5833 moorez@aol.com
c (419) 370-3007 fax (419) 684-7030

Secretary
David James h (440) 717-1778 c (440) 785-9907

Treasurer
Rich Tressa (440) 572-9245 rictre@hotmail.com

Trustee East
Steve Kaplan (216) 561-1648 spk@skaplanassociates.com

Trustee Quad County
Gary Dunn (419) 625-0413 cell (419) 504-8090
trainguy@bex.net

Trustee West
Chuck Klein (440) 845-4915 cltrn@aol.com

Trustee at Large
Larry Madson (440) 934-2643 lmadson@roadrunner.com

Trustee at Large
Lee Sheffield lakeshorenycc@yahoo.com

Appointed

Carnival
Mike Oster

Achievement
Bruce Brintnall MMR
Membership Co-Chairs
Tom Beutler/Joe Mehalic

Layouts
John and Tom Hemsath
hemsathj@gmail.com
Modules
Scott Benson

Contests
David Lawler
N.O.A.R.S. Representative
Chuck Beargie

Historian/Archivist
Frank Bongiovanni
Webmaster
Ben Lanza

Raffle
Mike Klein
Refreshments
(open)

Company Store
Tim Sheffield

Clinics
Larry Madson

Flatwheel Editor
Dave Williams

Auction Strategy

Hello, my name is Gary and I'll be one of the auctioneers at the March meeting. For many of you this isn't your first Division auction, for other members, it is. I just want to offer a few thoughts on preparing your items for-sale at the auction. Remember to list the manufacturer and if offering a loco, power supply or other working item please list its operating condition.

Most of the time we'll know the manufacturer, but as the night progresses that info does help.

The strategy of an auction is to engage the crowd to bid on the items. So consider this when you are listing a minimum bid. It is often a good idea when selling freight cars or other smaller assorted items to group them together. Also, think in terms of what you want to get out of everything that you're bring for sale. If you do that, then you can be more flexible when setting the individual minimum bids.

You do not need to list a minimum bid, but if that blank on the form is not filled in, we'll assume there is no minimum bid. Please avoid confusion by placing a zero in this field.

My last comment on minimum bid: It takes two people interested enough to bid on your item to have an auction. If the minimum bid is set too high we'll not be able to get the bidding started. A string of No-Sales causes the crowd to lose interest. So the auctioneers are forced to intertwine your items with other sellers; or move your items to the end of the sale.

The auction is always a good time and Frank and I enjoy the crowd! I'll see you in March. - Gary

Railfest Membership Table

The following Division 4 members have volunteered to work the joint NMRA table during Railfest Saturday/Sunday, March 16th and 17th (these were the names submitted by the deadline).

Tentative days/times are shown. These members will report in at the main gate to receive their wrist band.

Lee Sheffield	Saturday/Sunday as needed
Fred Obreza	Sat 10-12
Art Bumpus	Sat 12-2
Joe Mehalic	Sat 2-4
Chuck Baad	Sat afternoon

Ben Lanza	Sat 10-12
Dave Williams	Sun 10-12
Bob Kaiser	Sat or Sun 12-2

Thanks!

Also thanks to Chuck Klein, Mike Klein, and Gary Sole, collectively known as *Bernie's Bargains*, who always are ready to provide backup support.

Joe Mehalic
Division 4 Co-Chairman of Membership

2013 Railfest

March 16/17, 2013 10 am to 4 pm
Lakeland Community College
Kirtland, Ohio 44094
(Rt 306 exit from I-90)

One day admission	\$7
Two Day Pass	\$12
Couples/Family Pass	\$12

more information at

www.railfest.org

Division 4 Auction 2013

Seller number

Starting Bid

Description

Bid Price

DIV Percentage

Sale Price

Buyer Number

Division 4 Auction 2013

Seller number

Starting Bid

Description

Bid Price

DIV Percentage

Sale Price

Buyer Number

Division 4 Auction 2013

Seller number

Starting Bid

Description

Bid Price

DIV Percentage

Sale Price

Buyer Number

Division 4 Auction 2013

Seller number

Starting Bid

Description

Bid Price

DIV Percentage

Sale Price

Buyer Number

February 2013 contest: Gas Stations

There were 7 entries and 40 votes cast.

- 1st: Gary Dunn 21 votes
- 2nd: Tom McInerny 14 votes
- 3rd: George Gelehrter 2 votes

Point standings for the second half contests are as follows:

Gary Dunn-4, Tom McInerny-3, George Gelehrter-2 all other entries received 1 point.

Remember, there will be NO CONTEST in MARCH because it's Auction Night
However, I will be handing out trophies and gift certificates for the 1st half contests.

February winners please bring your entries back in April for display and description.

The April Contest is for geared locomotives, Shay Heisler, Climax, Duplex etc..



THE FLATWHEEL

VOL 48 NBR 03 MARCH 2013

Newsletter of NMRA MCR Division Four



Next meeting: Friday March 08, 2013

Auction!

Church of the Redeemer
23500 Center Ridge Road
Westlake Ohio 44145

Social time starts at 7 pm
Business meeting 7:30 pm

Division website: www.div4.org

An entry in the February Gas Station contest.

A 501(c)(3) Non Profit Educational Organization
FIRST CLASS

Dave Williams
Flatwheel Editor
7769 Oakhurst Circle
Brecksville OH 44141-1121