



THE FLATWHEEL

VOL 49 NBR 09 NOVEMBER 2014



Official newsletter of Division Four, Mid Central Region of the National Model Railroad Association.



HERBIE'S RUMBLINGS

November 2014

Thanks to all of you who volunteered at the Great Berea Train Show. We had a successful show, and will be looking for ways to further enhance attendance and dealer participation.

The primary item of business at the November meeting will be presentation of the budget. The Board of Directors will hash it out at its November 11 meeting and we will be ready to discuss it with you on Friday, November 14.

November is National Model Railroading Month, kicking off with at least six (that I know of) shows and exhibits from Erie to Dayton, with three in our area. I hope you were able to get to at least one of them. See page 13 of this issue for more places to go during the rest of November and December.

Don't forget to register for the December Awards Banquet at this meeting. Bruce will take your reservation (and check). It's a great deal – Prime Rib and all the trimmings.

Also – at this meeting, we will have some exciting news for you regarding the financial results of the Convention.

We have some really great layout tours scheduled for this month. All of the layouts were featured in recent National model railroading publications. Tom Hemsath will tell you about them at the meeting.

Please remember - new members can easily be identified by their name badge – it will be GREEN. When you see someone with a green name badge, please introduce yourself and make him or her feel welcome. Our goal is to keep them coming back for more.

There are still some of our members who have not furnished us with an e-mail address. We will now begin the process of phone calls, I am confident that we will be able to accommodate everyone.

This month's "rumblings" is a short one, but the rest of the Flatwheel should keep you busy.

Steve Kaplan
Division 4 MCR Superintendent

Herbie at work on the side of a Mopac car.
(model provided by Steve Kaplan)



Division Four's next meeting will be Friday November 14, 2014

Division website: www.div4.org

Social time starts at 7:00 pm
Business meeting 7:30 pm

Church of the Redeemer
23500 Center Ridge Road (just east of Center Ridge and Clague)
Westlake Ohio 44145



General Meeting Minutes

Meeting of 10/10/2014

DIVISION 4, MCR, NMRA

Welcome – Superintendent Steve Kaplan opened at 7:32 PM

New Members introduced by Membership co-chair Joe Mehalic: Bob Cambra HO – new member from the National Convention. Thanks for joining.

Superintendent Kaplan invited all to gather at Bakers Square after the meeting.

A moment of silence was observed in memory of William Gorris.

Treasury report – Bruce Bowie – Assets Currently are \$44,022.21. The sign-up sheet for the Awards banquet is available. Reminder that the awards dinner will be at Cooper Top Banquet Center in Valley City, Ohio. December 12, 2014. \$15.00 for adults.

Great Berea Train Show – Mike Oster, Bruce Bowie, the financial report for the show is done, 2206 paid attendance for the Show, with about \$5000 profit. Very Good Show. Many thanks to all the members that helped with the show.

Layout tours – John Hemsath – next month is layout tour month. Nov 16 and Nov 22. Look for the details in this month's emails from Ben. We are looking into next May's Layout tours. Save the dates of May 3 & May 9

Plea for more committee participation – Company store, layout tours, beneficiary, Train Show

– may need a backup of one or more trainees.

Swap & Shop – Ben Lanza - look for the Swap & Shop on the web site.

Program/clinics - Larry Madson next month's clinic will have Ron Morgan will be talking about the ethanol plant that he's modeled. Larry is always looking for new clinic material.

Module Group – Scott Benson – great showing at the show. One of the events this year will be at Black River Transportation Center in Lorain.

Contest – Dave Lawler - next month's contest will be anything made out of Plastic Straws.

Company Store – Chuck Klein – Couple new items including Convention Cars. Division 4 Box Cars are now \$18.00. Also taking orders for shirts and hats. (see Company Store on page 8).

Raffle - Mike Klein. Next month's Raffle theme will be generic.

Reminder about Flatwheel. Last mailed issue was the September. Remind anyone who has not given us an email of their options. If you need an email address see Steve.

Other News, King Mill Enterprises is having a great sale.

Comments for the good of the order.

Adjournment at 8:05 PM

David James
Secretary

Membership by Tom Beutler, Membership co-chair

November Birthdays

Scott Benson
J David Davis
Mike Fahler
Donald Golden
Paul G Justy
Bob Krueger
Michael A Matos
James Meleney
Emil J Orenick

C J Perkins
Stephen Prechtel
David M Richardson
Douglas Steiskal
Rich Thoma
Joseph J Toth
Martin Walter
Julie Williams

New Member

Aaron Wheeler North Ridgeville

Roster and Knowledge Depot

It is time to publish an updated Roster and Knowledge Depot. It will be published in early January 2015.

If you want to be included for the first time fill in the appropriate forms available on the website and email them to me. If you want to revise your data that is already included in one or both, you can fill out the same forms and send them to me by email.

You can also send me your email address so the membership data can be kept current. Again email me with your new address. Remember, your email is important as you will be sent the Flatwheel to your email address.

Tom Beutler

tebutler@gmail.com

Members' Pictures - Last Call for now

The November meeting will be your last opportunity to get your picture taken for the Division Roster. We'll be set up one more time in one of the classrooms (identifiable by the absence of decoders on the table). Thanks to everyone who stopped by during the September and October meetings.

Raffle

November raffle will be an interesting potpourri of items.

The Raffle Dudes

Westlake Porter Road Library Display

Reminder: if anyone has an item for the display case at the library please see Chuck Klein or Steve Kaplan. We would like to have buildings (any Scale). Some mini dioramas etc.

The display will be in the library from December 1st through January 10th 2015.

2014 AWARDS BANQUET in December

Start planning now! This year's banquet will be held in lieu of a regular meeting on Friday, December 12th at the

CopperTop Banquet Facility
5740 Center Road (aka Route 303, on the south side)
Valley City OH 44280

The enjoyment and camaraderie will start at 6:30 PM followed with a buffet dinner at 7 PM. This year's main entrees will be PRIME RIB and BAKED HERB CHICKEN. Yes real PRIME RIB! Dinner will include salad, rolls, butter, soft drinks and coffee. The Division heavily subsidizes this event so all this for only \$15 per adult with children 16 and under FREE! WOW!!

This year we will have a cash bar with spirits of your choosing. Also this year, we will have a DJ for your listening and dancing pleasure.

Recognition for outstanding members will be made and as usual, we will have an amazing raffle. (Treasurer - I personally know Mike Klein has been collecting special raffle prizes all year just for the banquet. Thanks Mike!)

This is a family event with free gifts for children, so bring your kids and grandkids! The Division is in contract negotiations with Santa and depending on a successful negotiation, we are hopeful he will be on hand to present the gifts!

Sign Up sheets will be at the November meeting. You may also call the Treasurer at 419-602-3584 or email him at in2trains@gmail.com to sign up.

PLEASE INDICATE AGES AND GENDER OF CHILDREN ATTENDING WHEN SIGNING UP SO THE SUPER CAN ENSURE SANTA HAS APPROPRIATE GIFTS.

BOD Meetings

November 11, 2014 (that's next Tuesday)
February 10, 2015
May 5, 2015

BOD meetings are held at the same place as the general meetings and usually start at 7 pm. Members are always welcome to attend.

The Great Berea Train Show



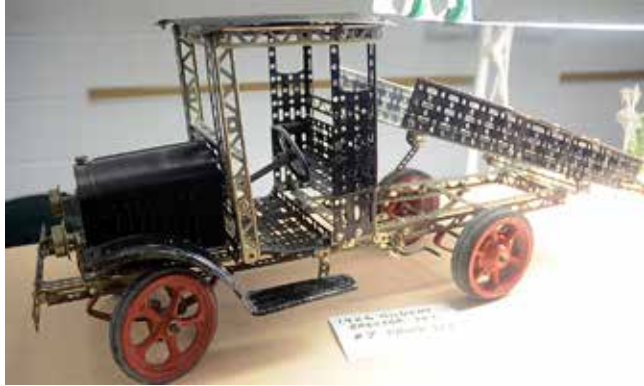
Sunday morning visitors waiting to buy tickets.



Division 4's modules (below) were resplendent.



Superintendent Steve Kaplan and Train Show Chair Mike Oster (driver) had a brief meeting in the Train Show command vehicle.



An ancient Erector Set truck found itself entered in the October contest.

DIVISION FOUR OFFICERS

Elected

Superintendent

Steve Kaplan (216) 561-1648 spk@skaplanassociates.com

Assistant Superintendent

Lee Sheffield lakeshorenyc@yahoo.com

Secretary

David James h (440) 717-1778 c (440) 785-9907

Treasurer

Bruce Bowie in2trains@gmail.com c (419)-602-3584

Trustee East

Fred Obreza chevy5664@sbcglobal.net (216) 587-4419

Trustee Quad County

Jim Moore moorez@aol.com h (419) 684-5833

Trustee West

Dave Williams h(440) 838-4996 dave_wms@sbcglobal.net

Trustee at Large

Larry Madson (440) 934-2643 lmadson@roadrunner.com

Trustee at Large

John Hemsath hemsathj@gmail.com

Appointed

Great Berea Train Show

Mike Oster

Achievement

Bruce Brintnall MMR

Layouts

John and Tom Hemsath
hemsathj@gmail.com

Contests

David Lawler

Historian/Archivist

Frank Bongiovanni

Raffle

Mike Klein

Company Store

Tim Sheffield

Clinics

Larry Madson

Flatwheel Editor

Dave Williams

Membership

Tom Beutler

Joe Mehalic

Darrall Swift

Modules

Scott Benson

N.O.A.R.S. Representative

Chuck Beargie

Webmaster

Ben Lanza

Refreshments

Joe Filipiak

Yahoo - The Division has a Yahoo group available for members. Send your request to join to dave_wms@sbcglobal.net. It's best to include "Division 4" in the subject line and include your name.

Members of the Yahoo Group receive an email when the Flatwheel PDF has been posted onto the website. The group is private and does not appear on the Yahoo directory.

Uncredited photos: D Williams.

The Flatwheel is published monthly (except during July and August) by Division Four of the Mid-Central Region (MCR) of the National Model Railroad Association (NMRA). All comments are welcome, however, those views expressed in the Flatwheel do not necessarily reflect the opinion of the NMRA, MCR, or Division Four.

Deadline for the next Flatwheel is Thursday November 27, 2014. The deadline is almost always 2 weeks and a day before the next general meeting.

The Flatwheel is no longer mailed.

The Clinic Corner

November 2014 Walthers Ethanol Plant: Sounds Corny Presented by – Ron Morgan

Ron presented this program at the 2014 National. The program is a discussion of the process involved in ethanol production and the processing to produce the distillers dried grains with soluble and solids byproducts. What services the railroad provides plus modeling using the Walthers ethanol plant kits.

December – No Program

Please join us for Awards Banquet to be held at the Copper Top Restaurant. See page 4 in this issue for the details.

Clinics Wanted

I need programs for Jan, Feb, April, May and June of 2015. Any Division member with an idea for a program subject or wishing to present a program for the 2014 – 2015 season, please contact me.

Larry

Clinic Presentation Aids

Division 4 has a digital projector available for use by division members for presenting clinic programs in digital format. We now also have a carousel slide projector with carousels. The division also has a video camera available for program enhancement. Anyone wishing to use the camera or the projectors for their program, contact Larry Madson.

phone: 440-934-2643 or email lmadson@roadrunner.com.

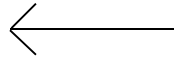
Larry Madson

Clinic Chair



Larry gave a review of DCC during the October clinic.

The Bera Union Depot Tavern provided coupons for our Train Show dealers last month and have now extended the offer to us. Thanks to Joe Kurelic MMR for making the arrangements.



The Great Bera Train Show had smooth flowing traffic thanks to the Law & Public Safety Academy students from Polaris Career Center. The students also provided assistance throughout the show facilities.

Company Store

The company store has some various kits for sale.:

N&SS boxcars, FP&E boxcars, \$18.00 each.

Division Four will carry the remaining inventory of the 2014 Convention Cars. These are the N&SS hopper cars \$20.00 each. Supplies are limited.

Division Shirts may be ordered through the company store.

Polo shirt \$27.00,

Button Down twill, long sleeve or short \$30.00.

Payable at time of order. Includes your name on shirt. Add \$3 for sizes 2XL and above.

Chuck Klein

Contest Corner

conducted by Dave Lawler

The October contest was for Dump Trucks.

There were 9 entries and 36 votes and here's the result:

1st: Rich Mayich

2nd: (tie) John Hemsath, Tom McInerney

3rd: Steve Riddlebaugh

Point standings are as follows:

1st: George Gelehrter 5

2nd: Dave Lawler 4, Rich Mayich 4

3rd: John Hemsath 3, Steve Riddlebaugh 3

A couple of reminders:

There will be group of 7 contests this season instead of the previous two groups.

There will be some additional awards at the end so keep bringing in your models. even the basic entry points add up.

There are no contests in December (Awards Banquet) or March (Auction).

There is only ONE ENTRY per person per contest.

The November contest is for something made from or utilizing plastic straws. Good luck!



Module Group Report by Scott Benson

With all our new members, it's time for a refresher on the Division 4 Modular Layout module kits. The primary factor in building a module for our layout is to comply with the module specification. Our specification is available on the Module page of the Division 4 website, as a linked file.

Our standard "regular" module size is 2' by 4', with 3 tracks running at 5", 7" and 9" from the front edge. An assembled standard kit is shown in the illustration. Many of our members have multiple 4' modules that link together. Some have non-standard length modules, and we also have some 30" deep modules. So the standard is the standard, unless it isn't!! If you plan to vary from the standard, please coordinate with Larry Madson, Scott Benson or any of the module group.

We sell kits for the regular 2' x 4' module. They come in two main varieties; the standard has a 7" wide sub-roadbed plywood strip, but a solid plywood top is also available. The kits come with all wood cut-to-size to meet the specification. The kit does not include roadbed, track or scenery. Some of our group do their own woodworking, so you can buy electrical and hardware kits only. Here is some of the pricing (before tax):

Standard module kit: \$100 – this comes with all hardware and pre-configured DCC wiring to connect your module electrically at both ends

Standard module kit with solid plywood top: \$110

Add a DCC Cab bus panel: \$20 – this provides a place to plug-in your DCC throttle. We strongly recommend including at least one on your module (front or back)

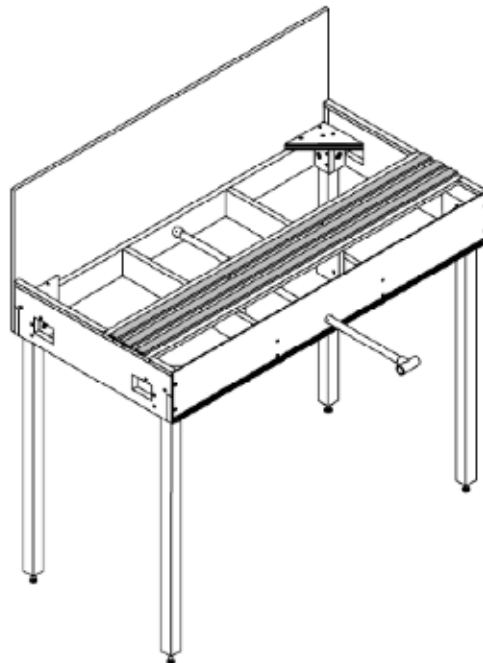
Hardware kit: \$65, includes all screws and bolts, leg pockets, velcro, ballast, backboard paint, C-Clamps, wiring harness, DCC cable

Wiring harness only, no cab bus panel: \$28

Additional cab bus panel with wiring: \$25

Our modules and layout are almost entirely self-funded by the module owners. The division does purchase items that are required for the integrated layout and operations (DCC equipment, track cleaning supplies, etc), but the costs have consistently been offset by income that the modular layout display generates. This approach is working very well, with over 50 modules owned by Division 4 members.

Place your order with Larry Madson today!!



Military Style Eye Safety

I've had a couple of close encounters with eye issues in the past year. A handgun at the range made a serious attempt to throw its loose receiver back into my face. More to the point, a scalpel blade broke while I was cutting plastic. That may not sound too bad but I instantly learned that those blades have a definite spring tension to them as the multi-edged projectile flew with speed, force and determination over my shoulder.

Most of the time I rely on my prescription glasses to keep me out of trouble. I think that's a fairly valid assumption, except that I can now see better up close without them. I started to catch myself looking over the lenses for a clearer view, sometimes realizing that I was doing something potentially hazardous to my sight. To fix that, I've recently started wearing standard shop safety glasses without my regular glasses involved whenever I'm at the workbench. Usually it's just been with the Dremel but the flying blade incident has increased the safety glasses' use. Yes, I do sometimes have trouble remembering where I put my regular glasses.

I recently learned of an optical safety standard that exceeds Z87.1. It's called Mil Spec, which is a requirement by the Army for a lot of things, including safety goggles. The idea is to stop shrapnel. One civilian use is by people running chainsaws but I think it'd be a good idea for pretty much any kind of metalworking as well – including mini-lathes and mini-mills, where shrapnel is called swarf. Admittedly, the goggles are overkill for most modeling situations but an idea if you venture into the more industrious side of things as well. I bought a pair from a company called OpticsPlanet (opticsplanet.com) for about \$75. They fit over my regular glasses. I originally planned to get the prescription set but pending cataract surgery promises to change my vision drastically - a valid case of a scalpel blade going near my eyes.

Dave Williams



Flatwheel Staff Writer Alison took time out from her busy schedule to model the Mil Spec goggles. She loves the hat and has been wearing it day and night since the Train Show. Alison is currently writing a mystery thriller entitled *Marnostat Madness: A TruScale Tale*.

NKPHTS Founders' Award goes to a Division Member

Congratulations to **Howie Speidel** on receiving the *Nickel Plate Historical & Technical Society's* Founders' Award. The award was presented at the Society's recent annual convention by Tony Koester*. When Howie hasn't been kept busy driving full size trains for the N&W then NS, he's spent decades performing countless jobs for the NKPHTS, to include archiving work at CSU and being the Society's resident agent. All that may explain why we don't see him at too many Division meetings, but he does appear at train shows and daily at this past summer's National Convention.

The Society's convention was held in Canton (same weekend as our train show of course) and featured a trip to the AOS Roundhouse in Sugarcreek.

* Mr. Koester is indeed a founder of the Society.

The 2015 NMRA National Convention

Portland OR

August 23 - August 30, 2015



Nationals after 2015:

2016: Indianapolis, IN July 3 - July 10, 2016

2017: Orlando, FL July, 2017

2018: Kansas City MO

2019: Salt Lake City UT

2015 MCR Regional Convention:

Thoroughbred Limited 2015 May 14-17,2015

Lexington Kentucky

<http://thoroughbredlimited2015.yolasite.com>

The North Central Region hasn't announced the dates, but its 2015 convention is scheduled to be held in Fort Wayne IN.

From this year's Martha Newberry Award Winner

The Martha Newberry Award is presented by Division 4 each year for a contest model demonstrating the skill and style that Martha Newberry demonstrated in her own models. Normally awarded at the Mid Central Region's convention, the 2014 was awarded during the National convention. Here is a response that Superintendent Steve Kaplan received from the winner

Greetings:

Dave McMullian gave me your names so I could thank you for the honor I received at the Cleveland Convention this summer.

Of the awards earned by my diorama the Martha Newberry was the surprise and the one that meant the most to me. I was originally disappointed with the second place due to not receiving very many points for the varied amount of scratch building points but this award more than made up for it.

Five craftsman kits involving hundreds of hours over two years was all worth it after receiving your award. Thank you again very much and the convention was the best I've attended. I look forward to seeing you next year in Fort Wayne.

Dave Capron

(editor's note: There were a lot more than just five structures on Dave's diorama, they must have multiplied like rabbits in those kit boxes! Dave is from Michigan and the Fort Wayne mention references the 2015 NCR convention.

Open House and Show Schedule for November and December

Information on these events has been given to us. No endorsement is implied. Please double-check dates/times/locations through a second source, especially when long drive times are involved. (There be possible typos in these waters Mately)

Nov 8: Diecast Collectible Toy and Model Show 9 am to 2 pm at Lakeland College \$6 adults, \$2 children
7700 Clocktower Dr, Kirtland OH 44094

Nov 8/9: Youngstown Model Railroad Association Open House 12 pm to 6 pm \$4, under 11 free
Near I-80 and Route 11, visit www.ymra.org for map and specific location

Nov 9: Greater Wayne Co. Train & Toy Show 10 am to 4 pm \$5, 12 and under free
Buckeye Event Center, 624 Henry St., Dalton OH 44618

Nov 15: TCA Toy Train Show 10 am to 3 pm \$5, children free
EL Station, 211-217 West 2nd St, Jamestown NY 14701

Nov 15/16: Sebring Model Railroad Club Open House 10 am to 5 pm \$3, under 12 free
Sebring Station, 216 E. Pennsylvania Ave., Sebring OH 44672 www.sebringmodelrailroadclub.org

Nov 16: Division 4 Layout Tour - members see your separate email for times and locations

Nov 22: Division 4 Layout Tour - members see your separate email for times and locations

Nov 22: Route 30 Express 10 am to 4 pm route30express.org

Nov 22/23: Greater Buffalo Train & Toy Show 10-5 Sa, 10-4 Sun \$7, 12 & under free
Fairgrounds, Hamburg NY www.wnyrhs.com

Nov 23: Beaver County Model Train & Toy Sale 10 am to 3 pm \$5, under 12 free
Center Stage 1495 Old Brodhead Rd, Monaca PA 15061 www.bemrr.railfan.net

Nov 23: Christmas Train & Toy Show 10 am to 3:30 pm \$6 adults, \$15 family, \$3 6-12, under 6 free
Lakeland College (see Nov 8 Diecast entry for address)

Nov 29: TCA Thanksgiving Train Meet 10 am to 3 pm \$6, children free
UAW Hall, 5615 Chevrolet Blvd, Cleveland, OH

Nov 30: Southeast Michigan Model Railroad Show and Flea Market 10 am to 4 pm (8-10 am \$10) \$4, under 12 free
Washtenaw Farm Council Grounds, 5055 Ann Arbor Saline Rd, Ann Arbor MI

Nov 30: Eerie Mad River Model Railroad Club Open House 12 pm to 4 pm donations welcome
1309 N. Depot St., Sandusky OH 44870

Dec 6/7: Youngstown Model Railroad Club (see Nov 8/9 entry)

Dec 7: Medina Model Railroad & Toy Shows 10 am to 4 pm \$6, under 12 free
Medina Co. Community Center, Medina Fairgrounds, Medina OH